

**New Products Arriving Soon!**  
**We are always adding more products.**  
**Contact us to find out the latest**



**ALWAYS TRUST  
 AMERICAN MADE!**



Tel: 301-773-4700  
 www.atlantic-supply.com



Tel: 800-721-0404  
 www.phoenixsupports.com

**Electrical Support Products Including:**

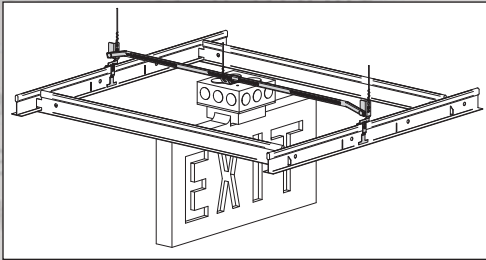
- Conduit and Cable Supports
- Structural Attachments
- Stud Wall Applications
- Ceiling and Acoustical Applications



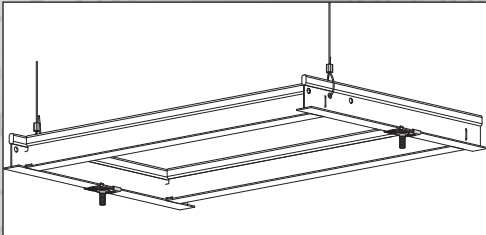


## Ceiling & Acoustical Applications

EB EBC - Electrical Box Hanger

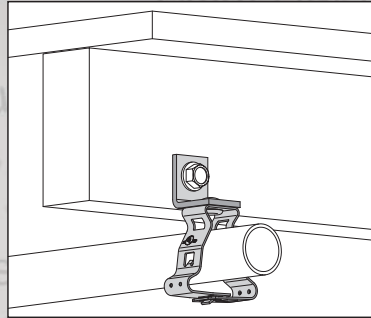


TC TN - Twist Clip and Wing Nut

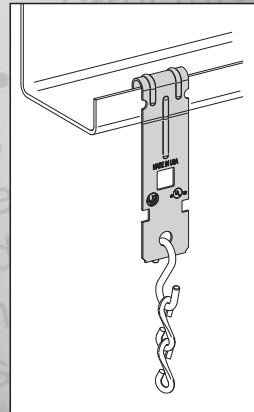


## Structural Attachments

AB NB C - Angle Bracket, Nail Bracket and Conduit Clip

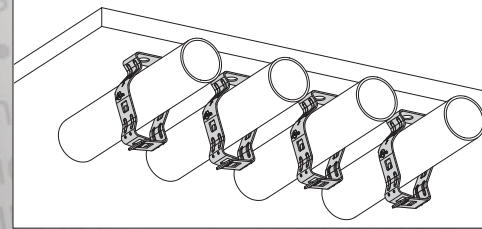


FVZ - Flange Hanger for "C" and "Z" Purlins and Bar Joists

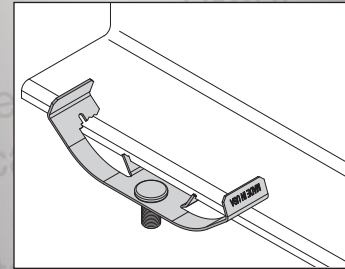


## Conduit and Cable Supports

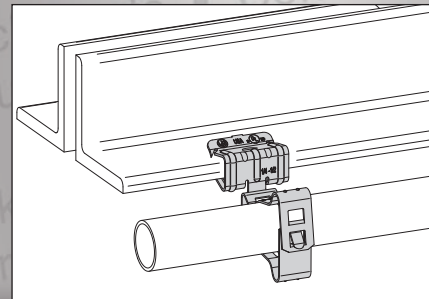
C & CT - Conduit Clips



MF - Multi-Function Clip

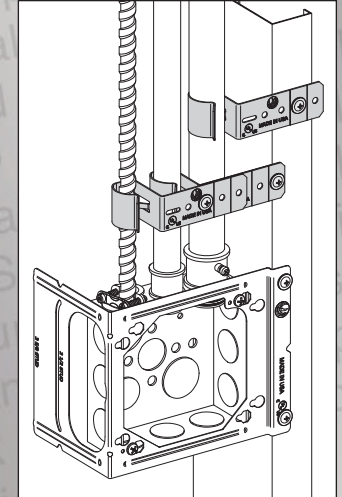


FS C - Flange Clip Hammer On Side Mount and Conduit Clip

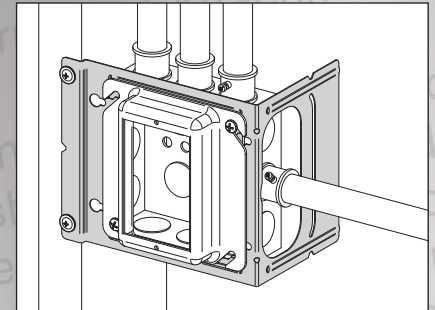


## Stud Wall Applications

CCS - Conduit Clip to Wood or Metal Stud



BBS - Electrical Box Bracket for Wood or Metal Stud



We have been manufacturing the highest quality strut accessories on the market for over a decade, and now we are bringing the same domestic quality and competitive value to you in our new Spring Steel Fastening Line. Contact us or Atlantic Hardware for more information!

Tel: 301-773-4700  
www.atlantic-supply.com

Tel: 800-721-0404  
www.phoenixsupports.com